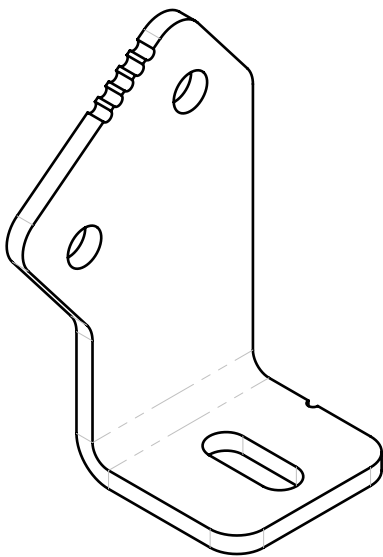
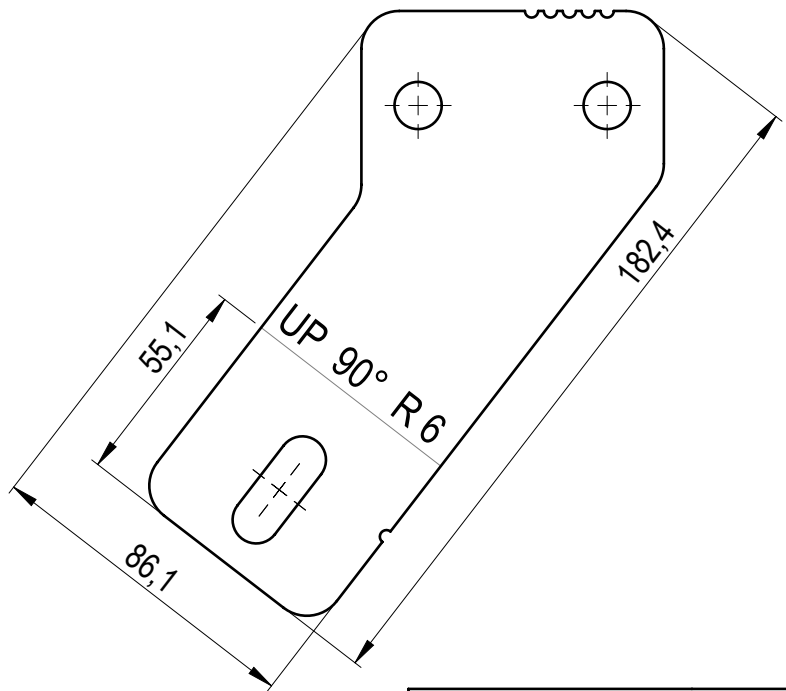


Flat Pattern view  
SCALE: 1:2



Other dimensions from .DXF file.

SHEET METAL INFORMATION	
Length, mm	182.4
Width, mm	86.1
Thickness, mm	6
Inside Bend Radius, mm	6
K-Factor	0.5
No. of Bends	1

	MATERIAL	S355J2	WEIGHT	0.491 Kg	DEBURR AND BREAK SHARP EDGES	REVISION	DATE	
	SURFACE PROTECTION	HDG EN ISO 1461	MACHINING	ISO 2768 mK	DO NOT SCALE DRAWING		28.05.2025	
			THERMAL CUTTING	ISO 9013 221	WELDING	ISO 13920 BF	SCALE	
							1:2	
							FORMAT	
							A4	
NAME	SIGNATURE	PART NO.	105-09100-51					
Designed by	D. Dislers		DESCRIPTION				SHEET 1/1	
Drawn by	D. Dislers		Left bracket 9L					
Technical ref.								